

Retaining cables

Polyethylene and stainless steel

CABLE

High-modulus polyethylene (HMWPE), black.

STANDARD EXECUTIONS

AISI 304 stainless steel fixing plate.

NERINOX treated stainless steel ring with two coils.

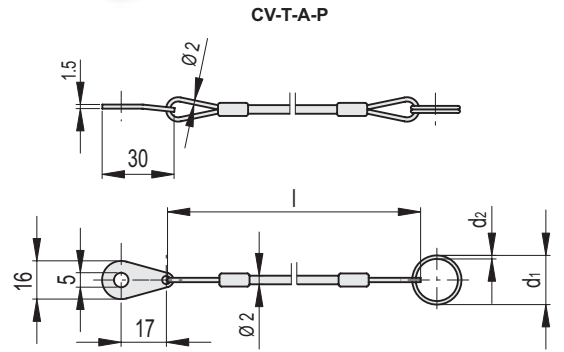
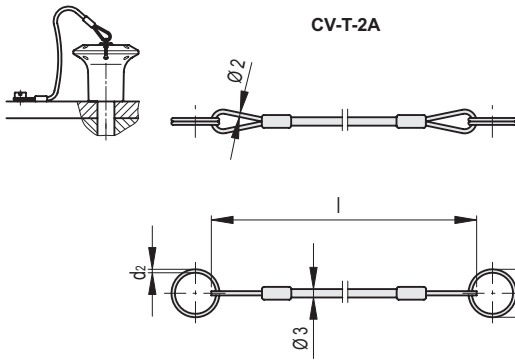
- **CV-T-2A:** cable with two clamping rings.
- **CV-T-A-P:** cable with one ring and one clamping plate.
- **CV-T-2P:** cable with two clamping plates.
- **CV-T:** cable without rings and without plates.
- **CV-T-P:** cable without rings and with one plates.

FEATURES AND APPLICATIONS

CV-T cables are light yet remarkably tough.

They are mainly used in combination with the different types of self-locking pins or in cases where you want to make small components or tools unmissable so that they are always available and at hand.

In particular, they can be used in place of the CT-S ball chain, when a particular tear resistance is required.



CV-T-2A

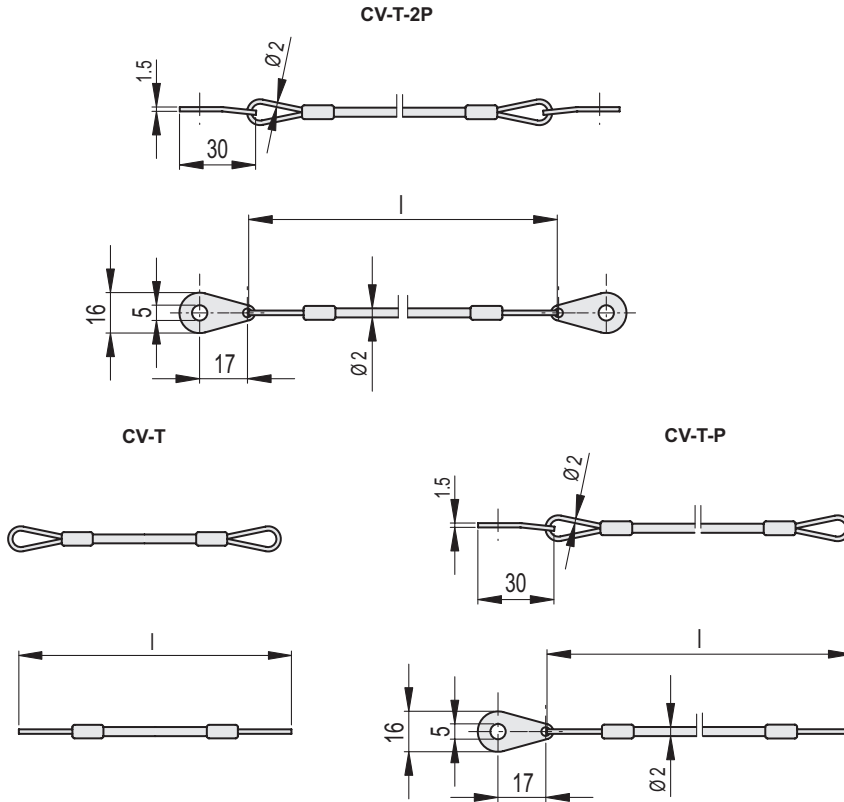
Code	Description	d1	d2	l	Max. static load [N]	⚖️
76201	CV-T-2A-18-150	18	1.3	150	160	7
76202	CV-T-2A-24-150	24	1.5	150	160	8
76203	CV-T-2A-30-150	30	1.8	150	180	9
76206	CV-T-2A-18-200	18	1.3	200	160	9
76207	CV-T-2A-24-200	24	1.5	200	160	10
76208	CV-T-2A-30-200	30	1.8	200	180	11
76211	CV-T-2A-18-320	18	1.3	320	160	13
76212	CV-T-2A-24-320	24	1.5	320	160	14
76213	CV-T-2A-30-320	30	1.8	320	180	15
76216	CV-T-2A-18-500	18	1.3	500	160	18
76217	CV-T-2A-24-500	24	1.5	500	160	19
76218	CV-T-2A-30-500	30	1.8	500	180	20

STAINLESS STEEL

CV-T-A-P

Code	Description	d1	d2	l	Max. static load [N]	⚖️
76221	CV-T-A-P-18-150	18	1.3	150	160	8
76222	CV-T-A-P-24-150	24	1.5	150	160	9
76223	CV-T-A-P-30-150	30	1.8	150	180	10
76226	CV-T-A-P-18-200	18	1.3	200	160	10
76227	CV-T-A-P-24-200	24	1.5	200	160	11
76228	CV-T-A-P-30-200	30	1.8	200	180	12
76231	CV-T-A-P-18-320	18	1.3	320	160	14
76232	CV-T-A-P-24-320	24	1.5	320	160	15
76233	CV-T-A-P-30-320	30	1.8	320	180	16
76236	CV-T-A-P-18-500	18	1.3	500	160	19
76237	CV-T-A-P-24-500	24	1.5	500	160	20
76238	CV-T-A-P-30-500	30	1.8	500	180	21

STAINLESS STEEL



CV-T-2P

STAINLESS STEEL

Code	Description	l	Max. static load [N]	⚖
76241	CV-T-2P-150	150	160	12
76246	CV-T-2P-200	200	160	14
76251	CV-T-2P-320	320	160	18
76256	CV-T-2P-500	500	160	23

CV-T

Code	Description	l	Max. static load [N]	⚖
76915	CV-T-150	150	300	2
76920	CV-T-200	200	300	2
76932	CV-T-320	320	300	3
76950	CV-T-500	500	300	5

CV-T-P

STAINLESS STEEL

Code	Description	l	Max. static load [N]	⚖
76261	CV-T-P-150	150	160	7
76266	CV-T-P-200	200	160	9
76271	CV-T-P-320	320	150	12
76276	CV-T-P-500	500	150	15

